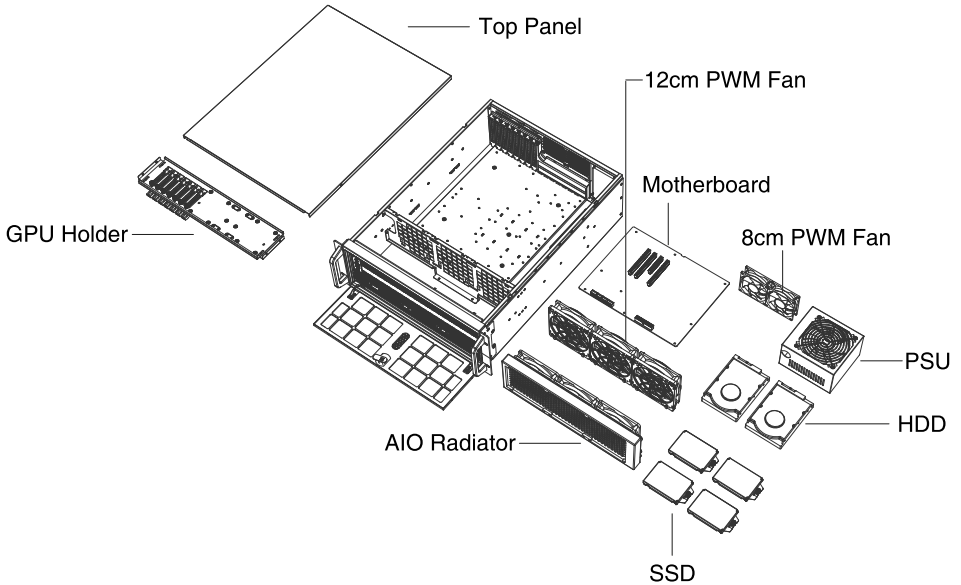
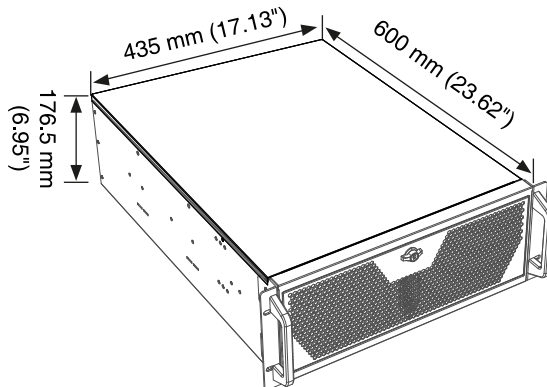


PRODUCT OVERVIEW

Product Diagram



Dimensions (W x H x D): 600 x 435 x 176.5 mm (23.62" x 17.13" x 6.95")



Accessory Kit

x3
Motherboard Standoff
Motherboard

x8
Screws
Power Supply

x9
Screws
3.5" HDD

x16
Screws
Motherboard/SSD

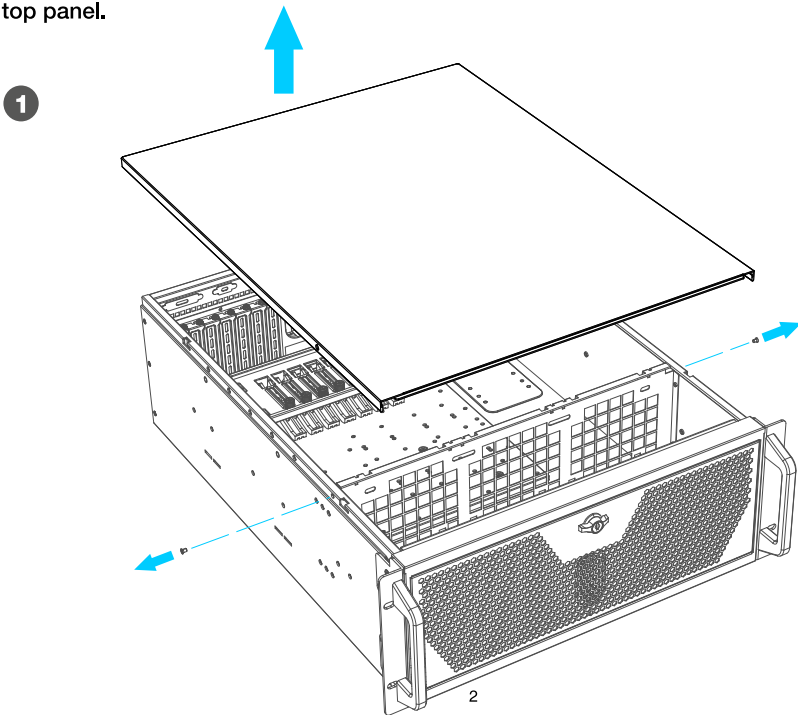
x16
Screws
2.5" HDD

INSTALLATION GUIDE

Please remove all packaging materials before proceeding to disassembly/assembly.

1. Remove the Top Panel

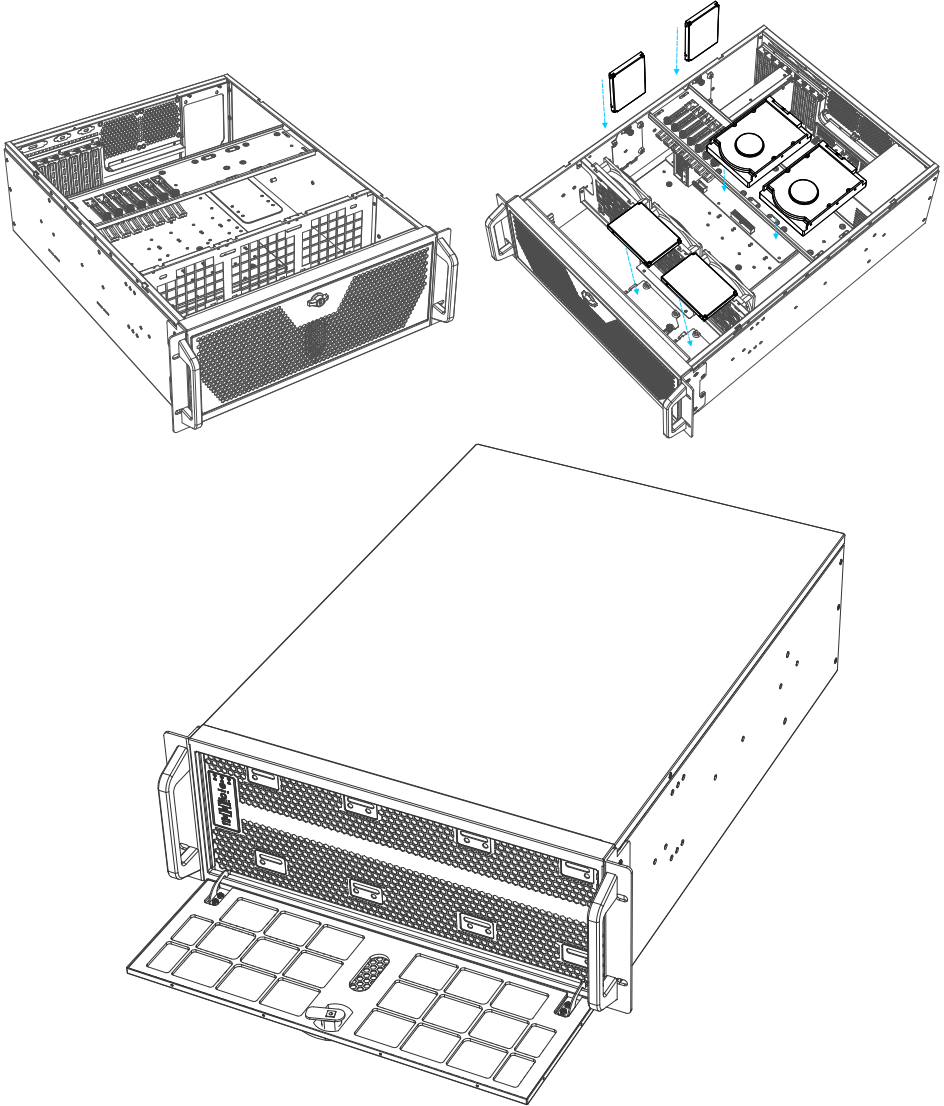
Loosen the four screws on the side panel, then gently push it backward and remove the top panel.



2. Install the HDD & SSD

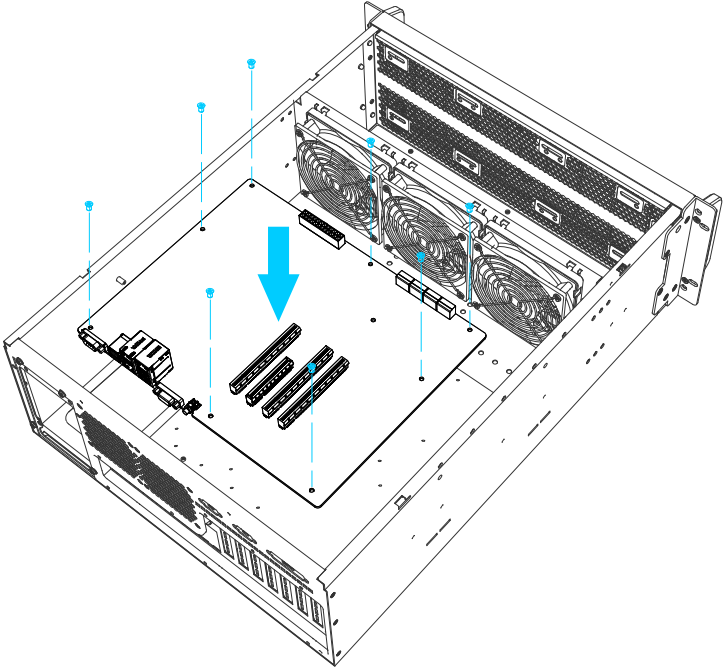
For SSD: Attach the SSD to the plate and reinstall it; for HDD: mount the HDD directly onto the GPU holder panel.

2



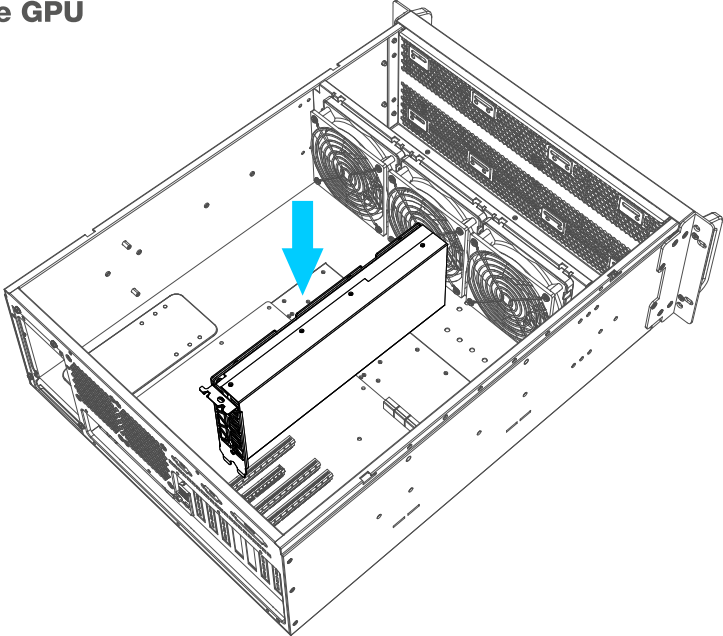
3. Install the Motherboard

3



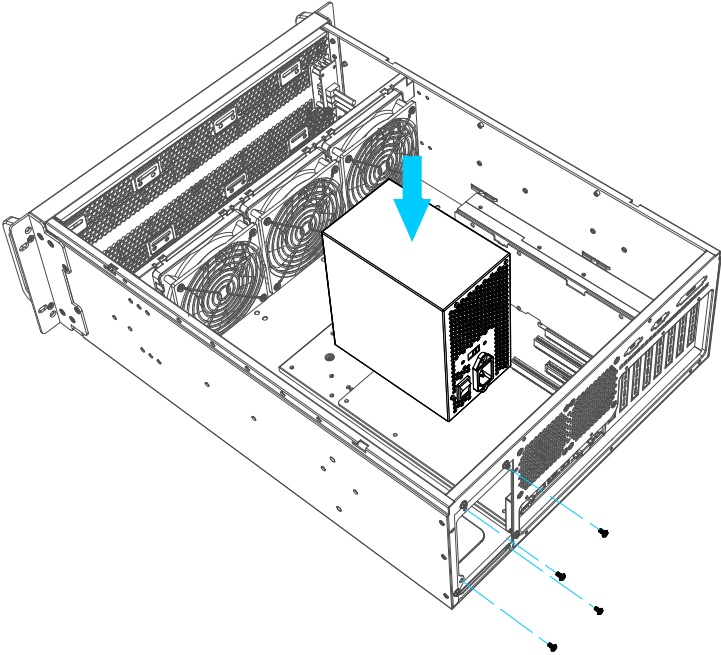
4. Install the GPU

4



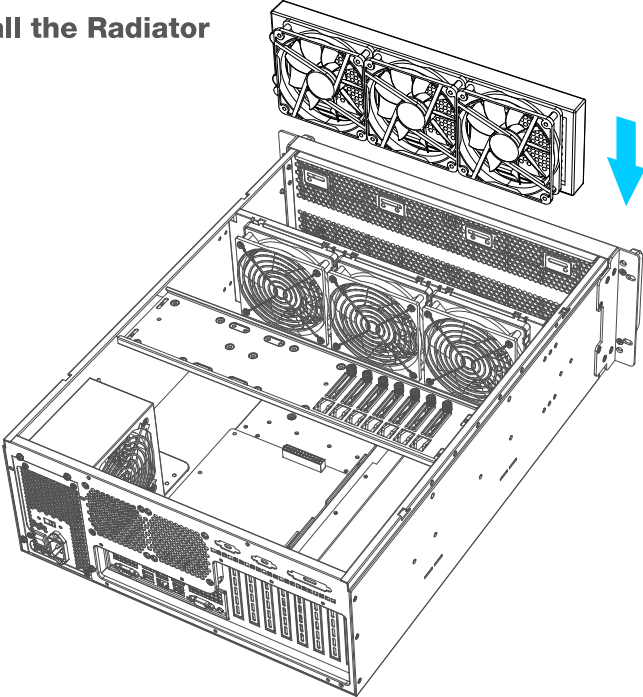
5. Install the PSU

5



6. Install the Radiator

6



SPECIFICATIONS

Model	
Model Name	RSV-L4620
Specifications	
Chassis Type	Rackmount
Form Factor	4U
Color	Silver & Black
Case Material	SGCC
Motherboard Compatibility	12" x 13" E-ATX, 12" x 9.6" ATX, 11.2" x 8.2" Mini-ATX and below
Power Supply	Supports ATX power supply
Hot-Swap Drive Bays	-
External 3.5 Drive Bays	-
Internal 3.5" Drive Bays	2
Internal 2.5" Drive Bays	3
Expansion Slots	8
Front USB	2 x USB 3.0 / 1 x USB 3.2 Type C
80mm Fans	-
120mm Fans	Middle: 3 x 120mm fans (3 x 120mm PWM fan included)
Physical Specification	600 x 435 x 176.5 mm / 23.62" x 17.13" x 6.95"



Technical Support Information techsupport@rosewill.com 1-800-575-9885
Please register your product at www.rosewill.com for complete warranty information and support for your product.



RSV-L4620